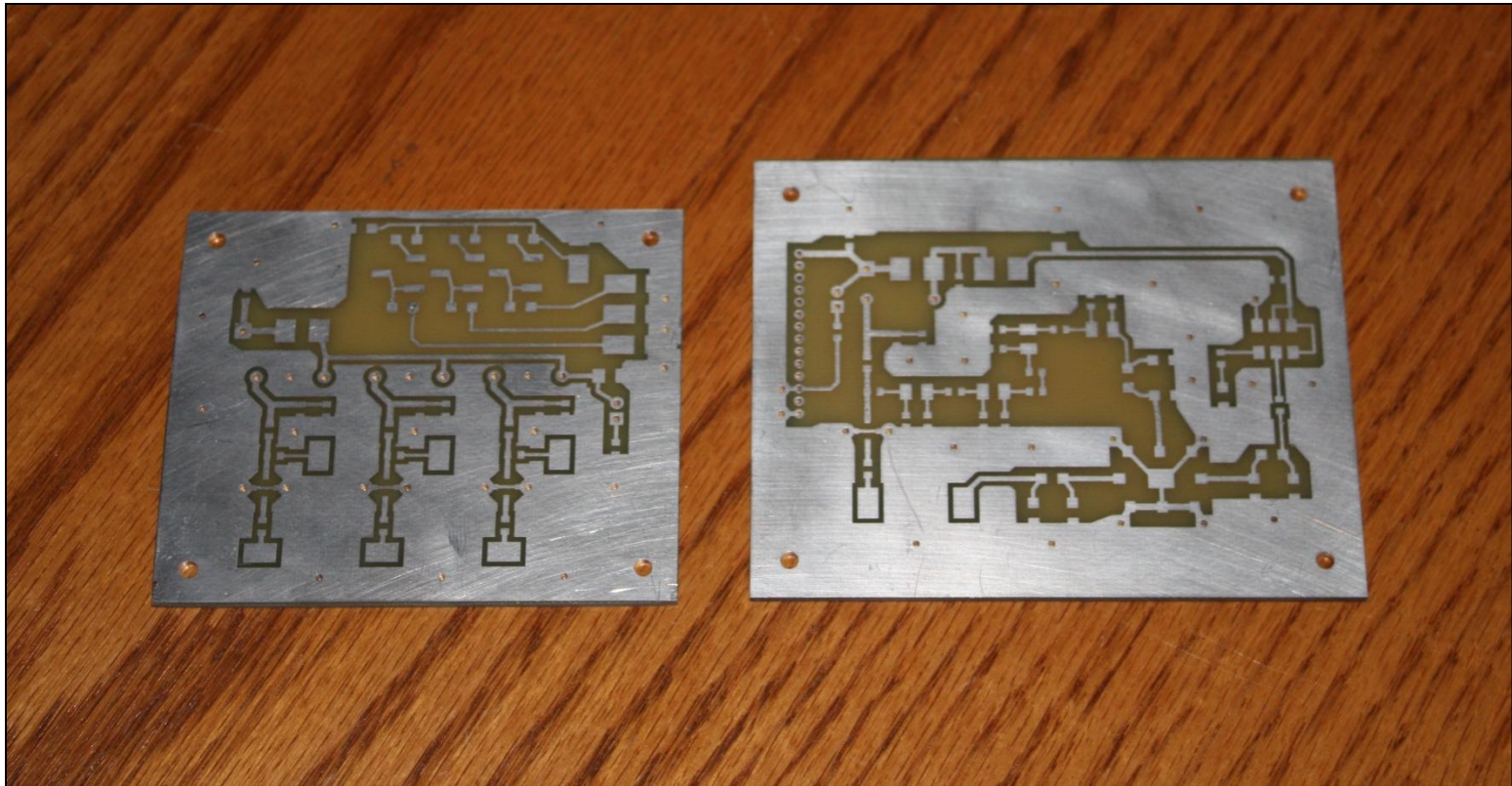


P3 Panadapter Interface



For Three Transceivers

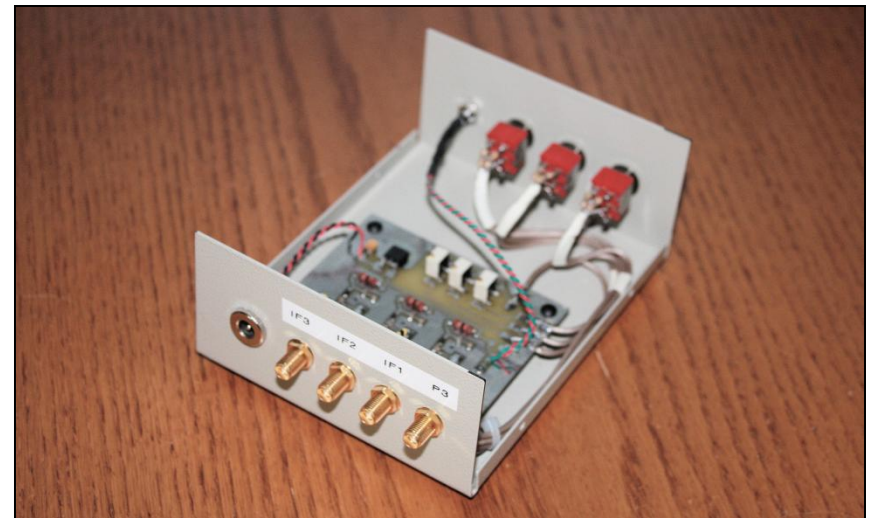
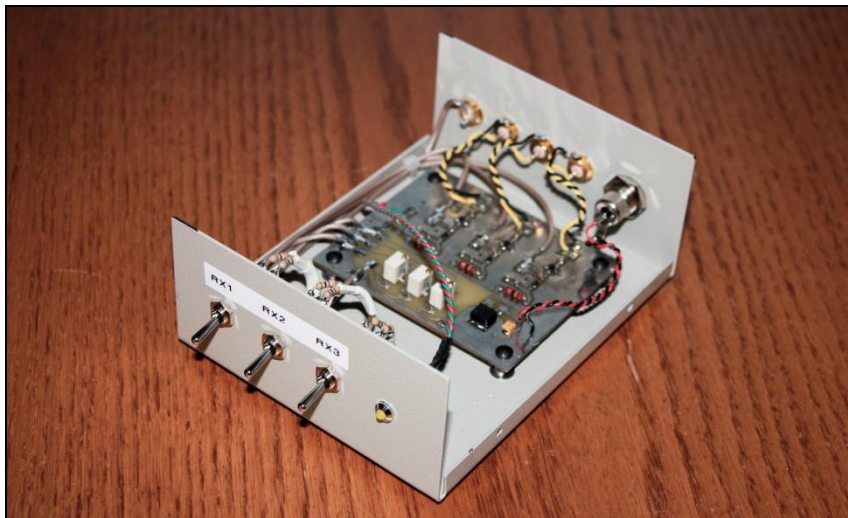
PC Boards



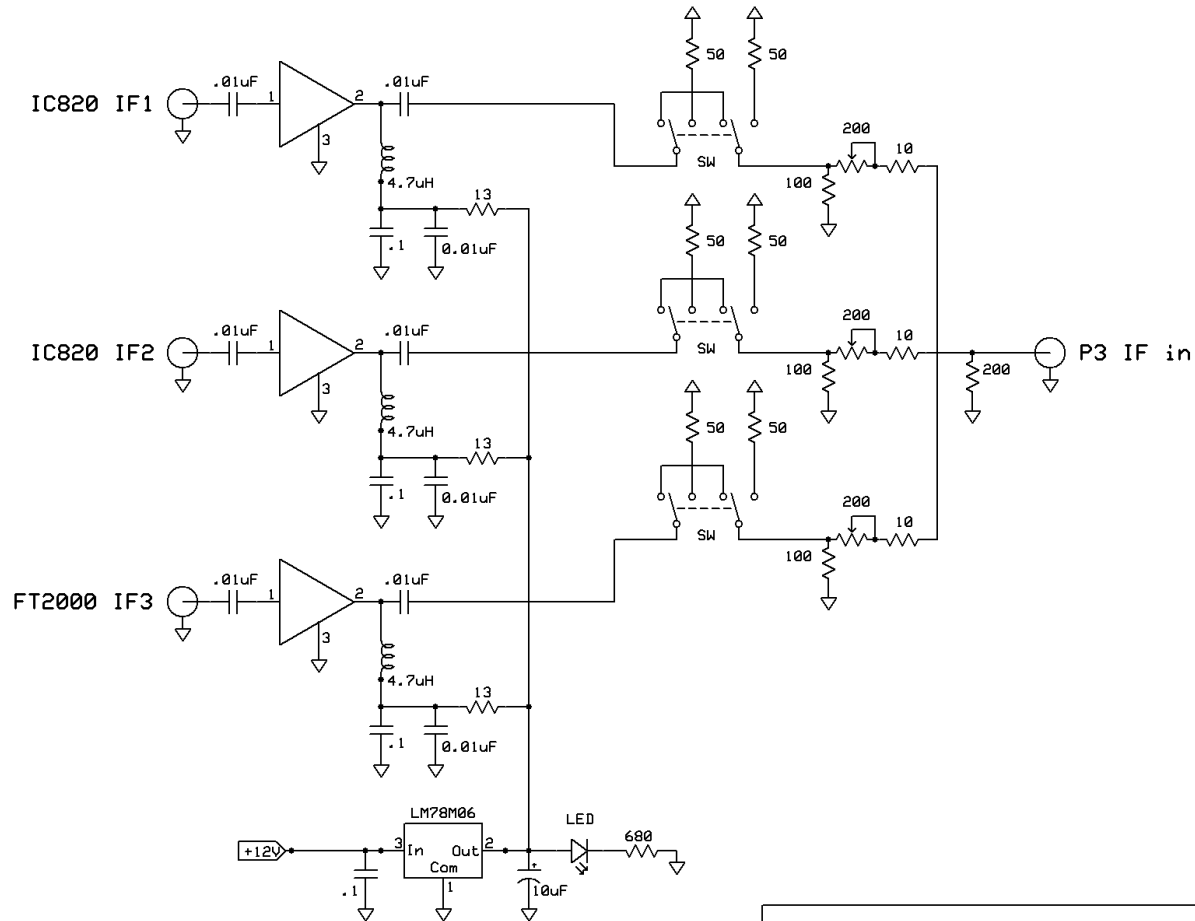
Overview

- Elecraft P3 panadapter to view received spectrum
 - **IC820** (#1) 144/432 Transceiver
 - **IC820** (#2) 1296/902 Transceiver (transverter IF)
 - **FT2000** HF/50/222 Transceiver (222 transverter IF)
- Displayed spectrum:
 - Each of the three transceivers, or
 - A superposition of any combination of the three transceivers
- Good isolation between radio IF circuits (> 40dB)
- FT2000 1st IF converted to 10.850 MHz
 - Common IF with IC820
 - Down converter board installed in FT2000 in place of DMU interface

P3 Interface

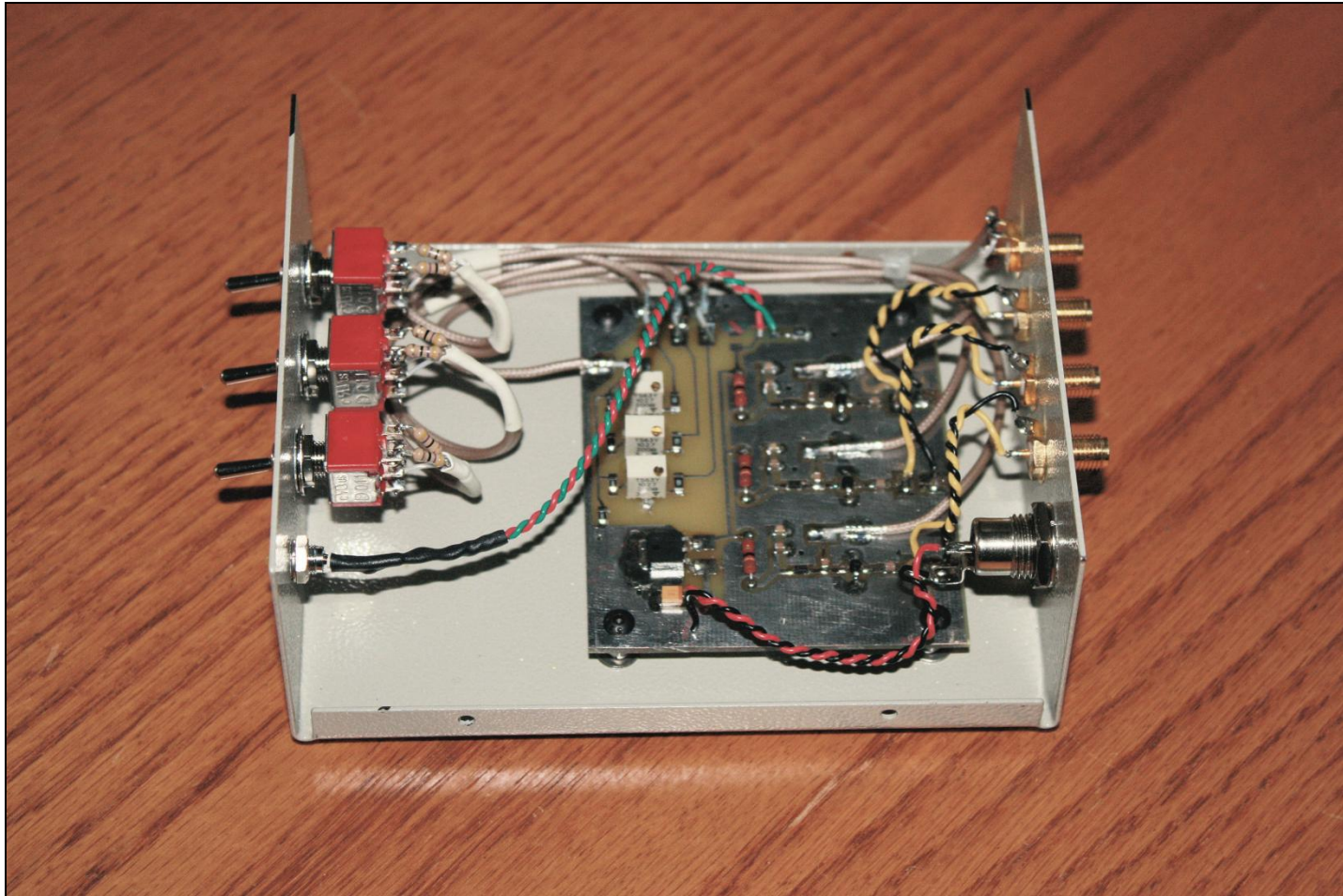


P3 Interface

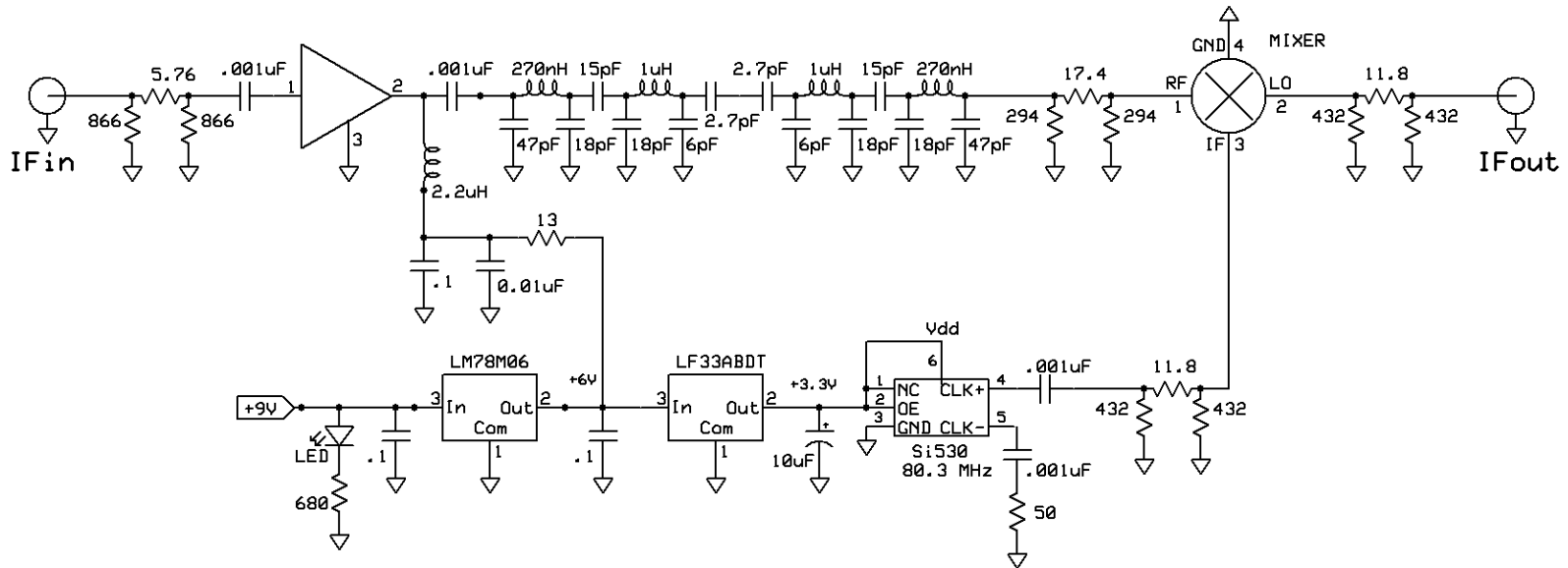


Panadapter RX Select	
K5TRA / T.Apel	Rev 1.0 11/12/2012

P3 Interface



FT2000 Converter



FT2000 IF Converter		
K5TRA / T.Apel	Rev 1.0	
	11/15/2012	

FT2000 IF Converter

